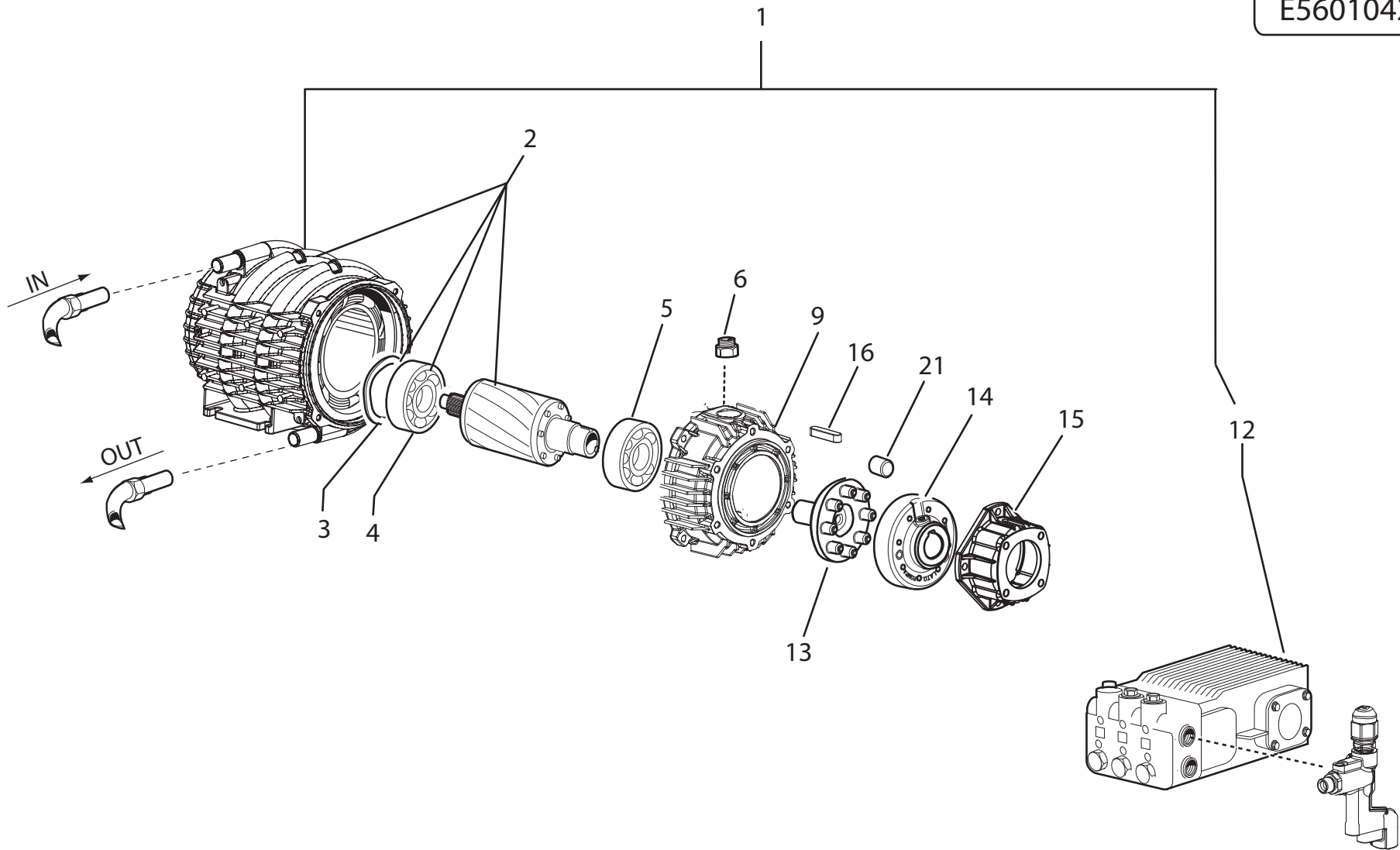


E56010422/01



# LISTA RICAMBI

**CODICE:** 8.621.0908      **REV.:** 1      **DESCRIZIONE:** IDRO HYPER L 2015LP T 400/50 C /GIUNTO

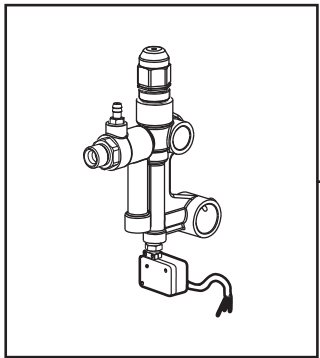
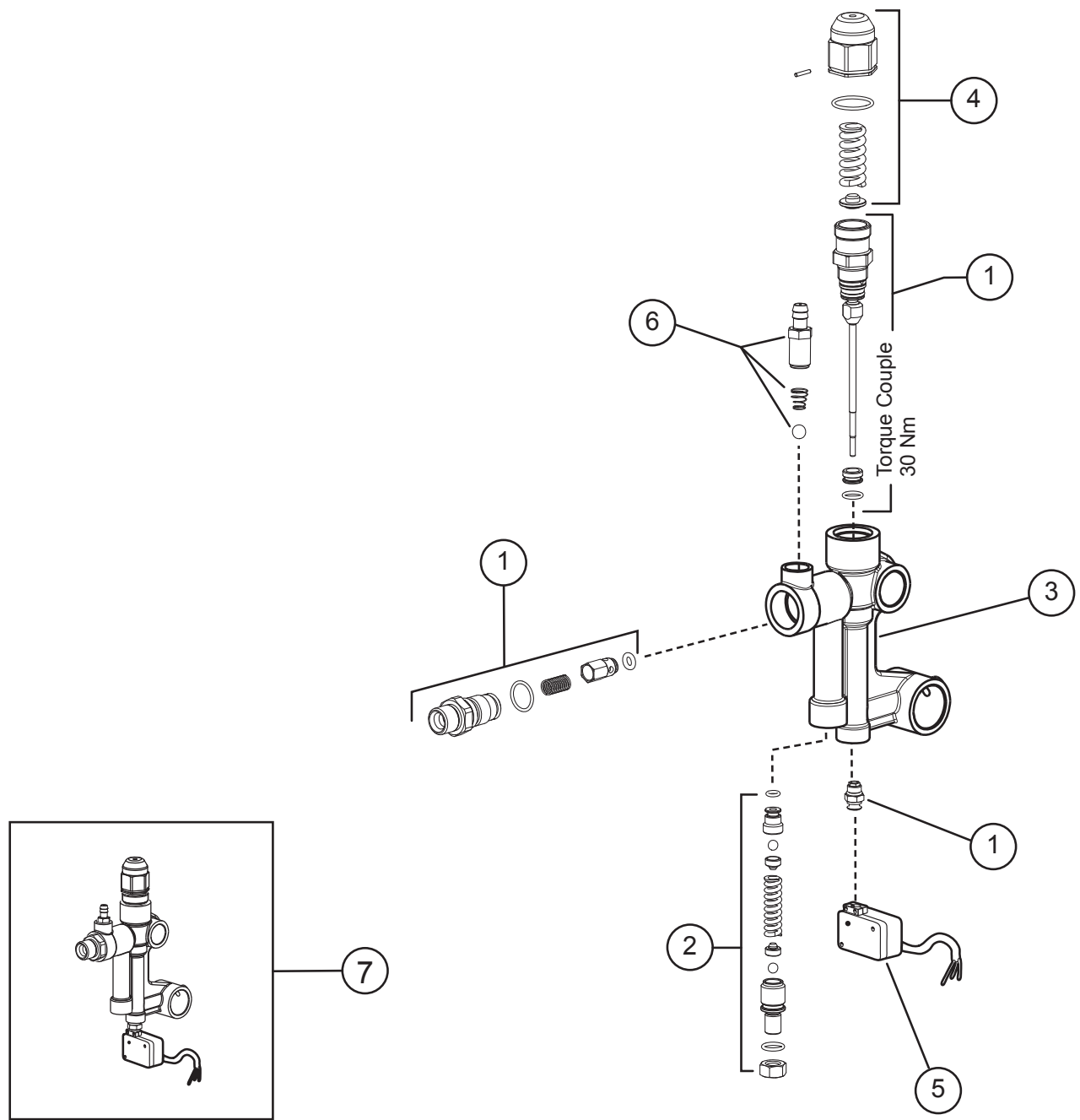
**DATA INIZIO VAL.:** 09/15/2008      **DATA FINE VAL.:** 01/01/3000

**CODICE GRUPPO:** R56010422      **REV.:** 1      **DESCRIZIONE:** MOTORPUMP

**DATA INIZIO VAL.:** 09/15/2008      **DATA FINE VAL.:** 01/01/3000      **N. TAVOLA:** E56010422/01

<b>CODICE:</b>	<b>DESCRIZIONE:</b>	<b>QTA':</b>	<b>POS:</b>	<b>ORD</b>	<b>EXTR.</b>
5.601.0422	MOTORPUMP	1	01		
5.606.0104	MOTOR LW R.A. 400/50	1	02		
3.099.0805	RING 61x51x0,4 H.3,5	1	03		
3.001.0066	RADIAL SPHERE BEARING 6305 2RS KBC (25x62x17)	1	04		
3.001.0009	BEARING 6007-2Z	1	05		
4.605.0070	CABLEHOLDER M22	1	06		
4.605.0072	MOTOR FRONT FLANGE D.152 X PUM P D.61	1	09		
5.699.0033	LW PUMP 200/15 1450 LEFT WITH CLOSE NIPPLE PIERCED	1	12		
4.605.0081	JOINT DIAM.24 MOTOR SIDE	1	13		
4.605.0082	JOINT DIAM.24 PUMP SIDE 00	1	14		
4.605.0083	MOTOR/PUMP FLANGE	1	15		
3.099.1501	FEATHER KEY	1	16		
6.605.0084	KIT N 8 RUBBER ELASTIC COULING	1	21		

E56090181/01



# LISTA RICAMBI

**CODICE:** 8.621.0908      **REV.:** 1      **DESCRIZIONE:** IDRO HYPER L 2015LP T 400/50 C /GIUNTO

**DATA INIZIO VAL.:** 09/15/2008      **DATA FINE VAL.:** 01/01/3000

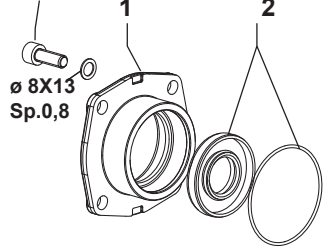
**CODICE GRUPPO:** R56090181      **REV.:** 2      **DESCRIZIONE:** VALVE L3

**DATA INIZIO VAL.:** 09/01/2010      **DATA FINE VAL.:** 01/01/3000      **N. TAVOLA:** E56090181/01

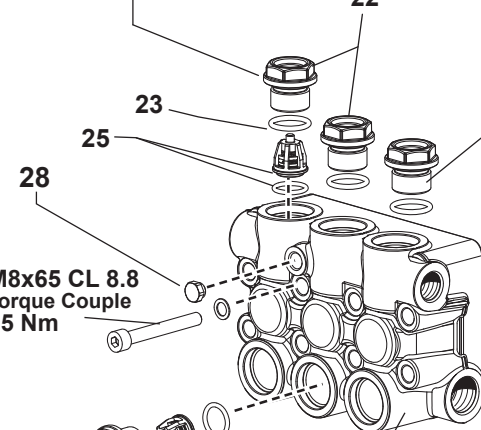
<b>CODICE:</b>	<b>DESCRIZIONE:</b>	<b>QTA':</b>	<b>POS:</b>	<b>ORD</b>	<b>EXTR.</b>
6.005.0289	BY-PASS KIT	1	01		X
6.005.0200	KIT 186 MAX PRESSURE VALVE	1	02		
4.606.0192	BODY VALVE LAVOR L3	1	03		
6.005.0120	KIT 111 PRESSURE REGULATOR FOR BRASS HEAD	1	04		
5.609.0246	ASSEMBLED GREY BOX WITH MICRO FOR LOW TENSION + 2X1,5 CABLE (BRASS HEAD)	1	05		X
5.609.X154	HOSE HOLDER DETERGENT SUCTION KIT W/OR-SPRING wire D.0.3-SPHERE 5	1	06		X
5.609.0181	L3 COMP.VALVE WITH CHEMICAL IN . 2,3 W/TS	1	07		

E56990033/01

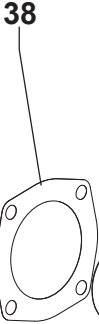
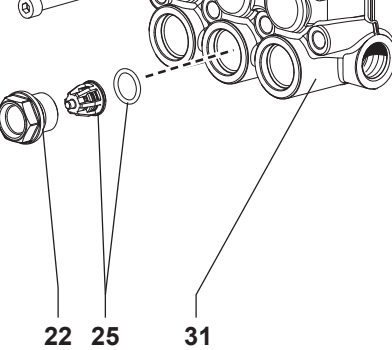
M6x22 CL 8.8  
Torque Couple  
15Nm



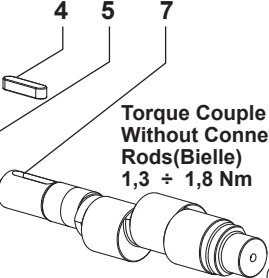
Torque Couple  
100 Nm  
loctite 270



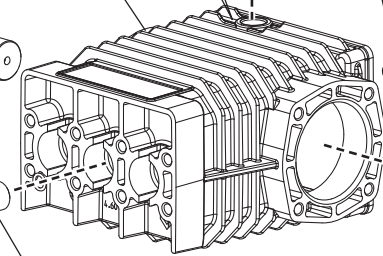
M8x65 CL 8.8  
Torque Couple  
25 Nm



33  
MINERAL OIL  
STOU 15 W 40 750 GR



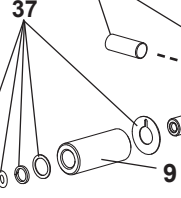
Torque Couple  
Without Connetting  
Rods(Bielle)  
1,3 + 1,8 Nm



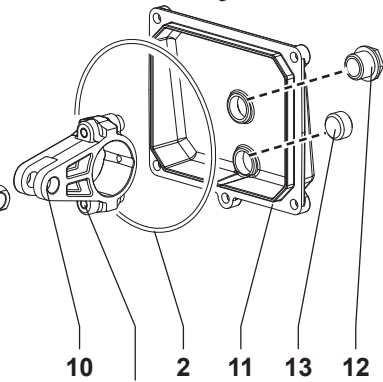
Torque Couple  
12Nm  
26



Torque Couple  
12Nm



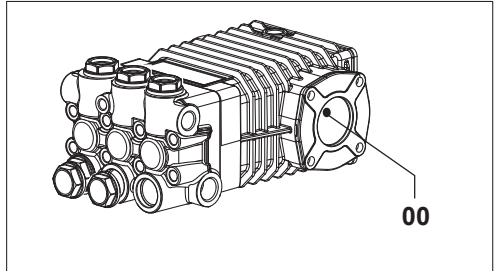
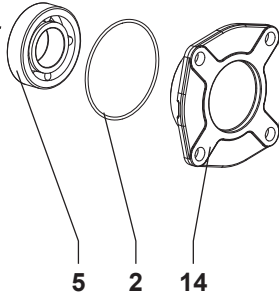
M6x18 CL 8.8  
Torque Couple  
15Nm



Torque Couple  
17Nm

ø 8X13  
Sp.0,8

M6x22 CL 8.8  
Torque Couple  
15Nm



# LISTA RICAMBI

**CODICE:** 8.621.0908

**REV.:** 1

**DESCRIZIONE:**

**IDRO HYPER L 2015LP T 400/50 C /GIUNTO**

**DATA INIZIO VAL.:** 09/15/2008

**DATA FINE VAL.:** 01/01/3000

**CODICE GRUPPO:** R56990033

**REV.:** 1

**DESCRIZIONE:**

**PUMP**

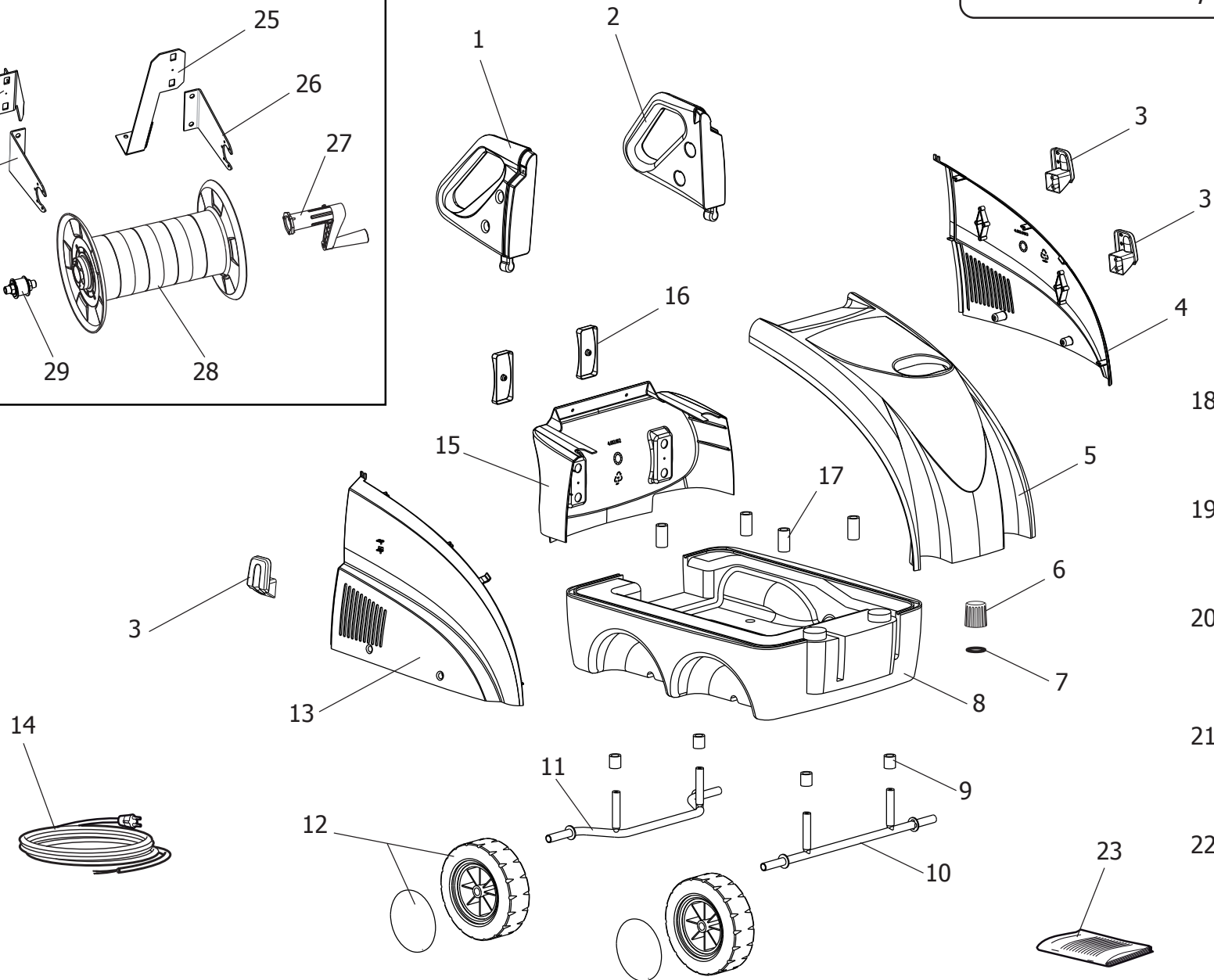
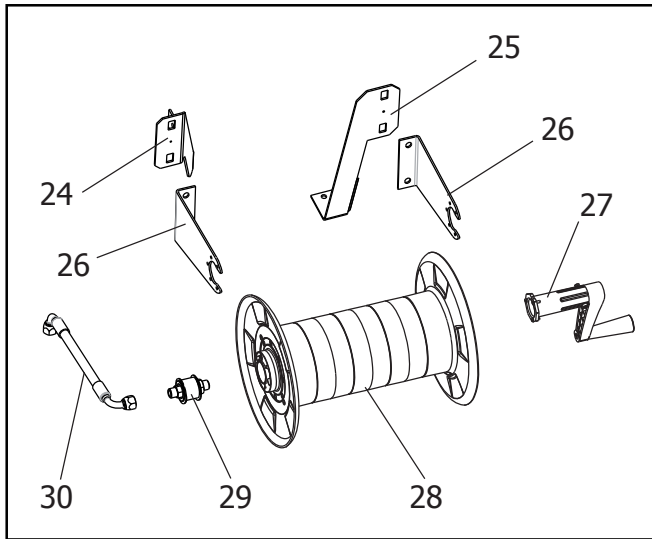
**DATA INIZIO VAL.:** 07/03/2007


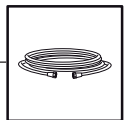

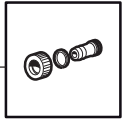
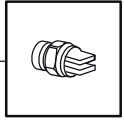
**DATA FINE VAL.:** 01/01/3000

**N. TAVOLA:** E56990033/01

<b>CODICE:</b>	<b>DESCRIZIONE:</b>	<b>QTA':</b>	<b>POS:</b>	<b>ORD</b>	<b>EXTR.</b>
5.699.0033	LW PUMP 200/15 1450 LEFT WITH CLOSE NIPPLE PIERCED	1	00		
4.605.0059	BEARING FLANGE	1	01		
6.605.0050	O-RINGS KIT	1	02	X	
3.099.0510	FEATHER KEY 8X7X35 UNI 6604A	1	04		
6.605.0029	LWB BEARINGS KIT	1	05		X
6.605.0051	PLUNGER RODS LWB KIT	1	06		
4.607.0313	SHAFT LAVORWASH CODE 4.607.0313	1	07		
4.605.0057	LWB CRANKCASE	1	08		
6.605.0025	LWB PISTONS D.20 KIT	1	09		X
5.609.0147	LWB COMPLETE CONNECTING ROD	1	10		
4.605.0058	LWB REAR CRANKCASE COVER ESP.0 0	1	11		
3.099.0003	OIL LEVEL INDICATOR SLNS-3/8 H OBBY	1	12		
3.002.0004	SCREW STEI 3/8 G.DIN 906 (OIL LOAD CAP)	1	13		
4.605.0060	BEARING FLANGE	1	14		
6.605.0041	WATER SEALS+BUSHES KIT	1	15		
6.605.0048	LWB BUSHES KIT	1	16		X
6.605.0047	LWB WATER SEALS KIT	1	17	X	
4.606.0161	G3/8 CAP	1	18		
4.606.0149	SUCTION/DELIVERY VALVE CAP LWB	5	22		
3.200.0185	O-RING GASKET 20.29X2.62 NBR 90 SH	6	23		
4.606.0167	HOLED VALVE CAP 1/4 LWB	1	24		
6.605.0042	SUCTION/DELIVERY VALVES KIT LW B	1	25	X	
3.099.0978	OIL CAP (L66 STICK)	1	26		
6.605.0031	LWB PISTON BUSHES KIT	1	27		
4.606.0167	HOLED VALVE CAP 1/4 LWB	1	29		
4.606.0162	HEAD PUMP LAVOR LINE WITHOUT/ VALVE	1	31		
3.699.0042	MULTITRACTOR STOU 15W40 OIL	1	33		
6.605.0034	PISTON SCREWS KIT LWB	1	37		X
6.605.0052	BEARING SPACER KIT LWB	1	38		

E8621C003/01



- 18 
- 19 
- 20 
- 21 
- 22 

# LISTA RICAMBI

**CODICE:** 8.621.0908      **REV.:** 1      **DESCRIZIONE:** IDRO HYPER L 2015LP T 400/50 C /GIUNTO

**DATA INIZIO VAL.:** 09/15/2008      **DATA FINE VAL.:** 01/01/3000

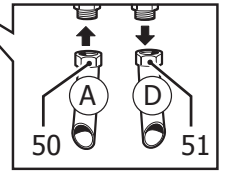
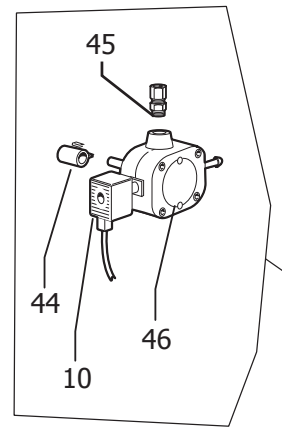
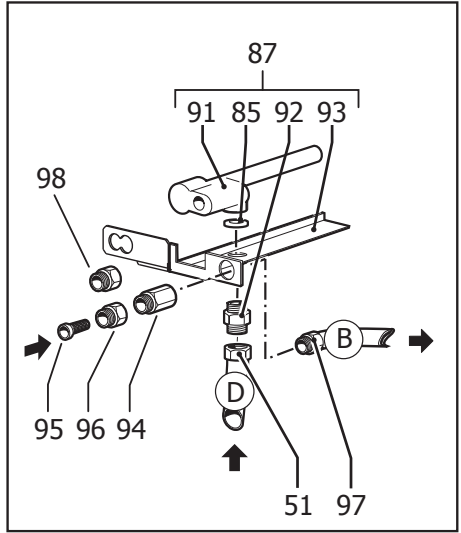
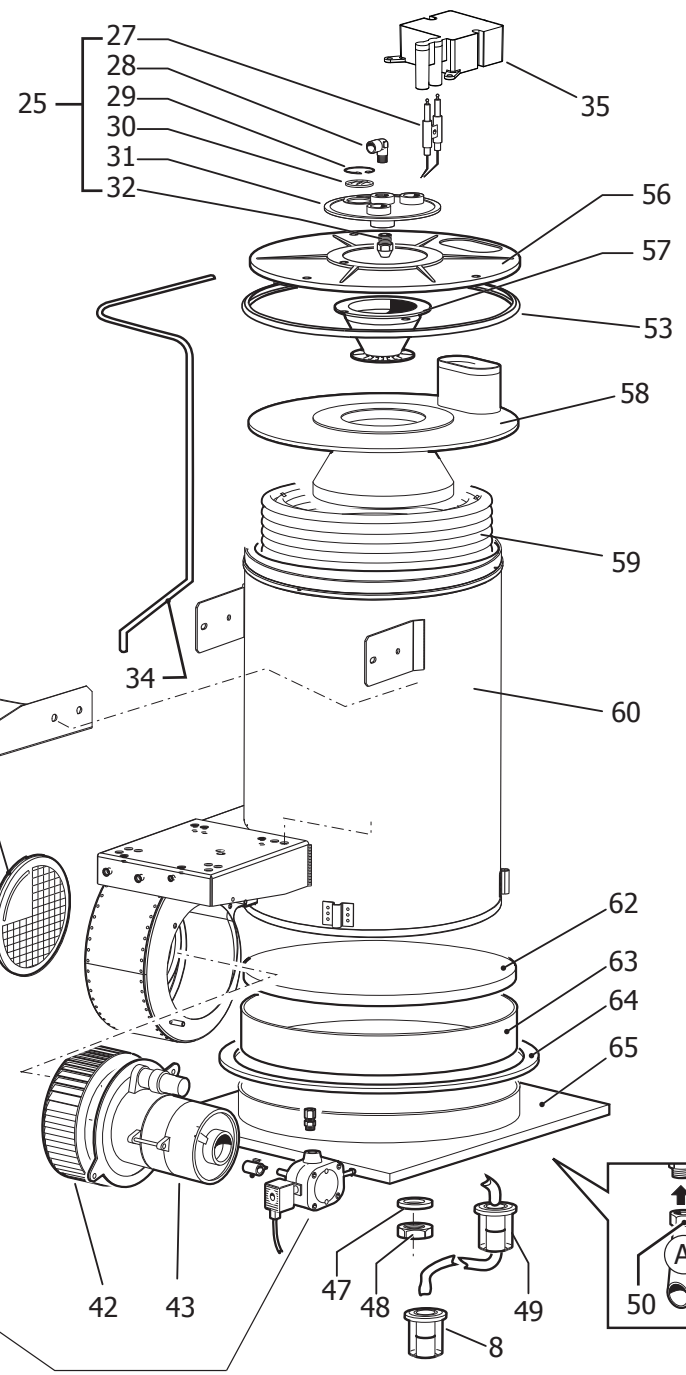
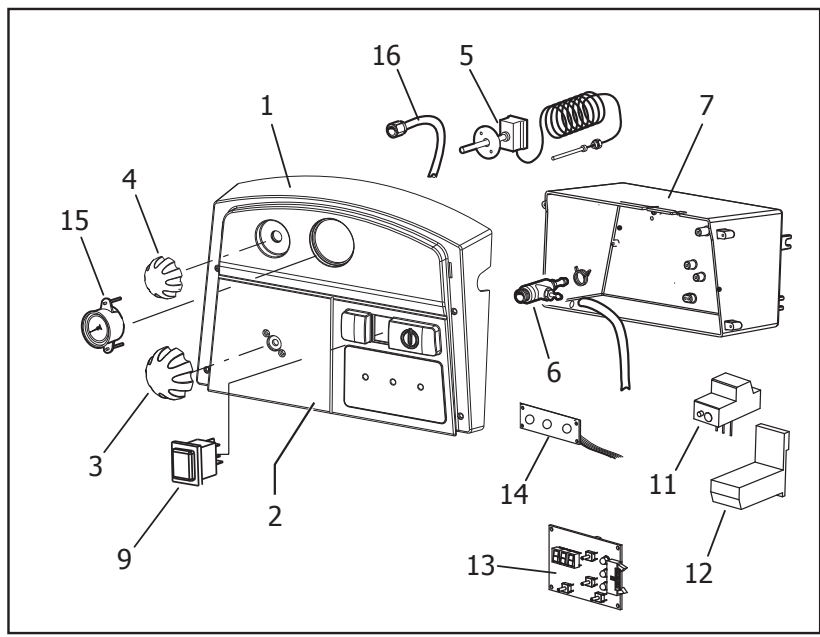
**CODICE GRUPPO:** R86210908      **REV.:** 1      **DESCRIZIONE:** CHASSIS

**DATA INIZIO VAL.:** 09/15/2008      **DATA FINE VAL.:** 01/01/3000      **N. TAVOLA:** E8621C003/01

<b>CODICE:</b>	<b>DESCRIZIONE:</b>	<b>QTA':</b>	<b>POS:</b>	<b>ORD</b>	<b>EXTR.</b>
4.608.0169	RIGHT HANDLE	1	01		
4.608.0170	LEFT HANDLE	1	02		
4.608.0245	CABLE REEL INSERT	3	03		
5.611.0141	LX COVER NPX-LKX BLACK WITH HO OKS	1	04		
4.613.0289	UPPER COVER NPX-LKX04 -GR- RAL 7046	1	05		
4.608.0082	GAS OIL-CHEM TANK CAP	2	06		
3.200.0038	O-RING GASKET 53,65X2,62 REF.3 212	2	07		
4.608.0203	DIESEL/DETERGENT TANK	1	08		
4.608.0073	SHORT SPACER FOR TANK JOLLY 4/ 93	4	09		
5.613.0096	BOILER AXLE JOLLY 4/93	1	10		
5.613.0115	BACK AXLE	1	11		
6.605.0021	WHEELS+BLOCK+COVER KIT X LKX'4-NPX'4	4	12		
5.611.0142	RX COVER NPX-LKX BLACK WITH HOOK	1	13		
4.612.0032	CABLE H05PVC 4X2.5 L.6000	1	14		
4.613.0182	FRONT BLACK COVER	1	15		
4.608.0184	ROLLER BLACK CAP	2	16		
4.608.0074	LONG SPACER FOR TANK JOLLY 4/9 3	4	17		
6.601.0001	GUN FOR HIGH PRESSURE WASHER S'10 3/8' WITH QUICK CONNECTION	1	18		X
4.618.0143	HIGH PRESSURE HOSE 5/16 310BAR R L=10000 1/2 TWIST.-3/8	1	19		X
6.602.0044	LANCE L.900 QUICK CONN-1/8 F WITH WASHER	1	20		X
5.611.0078	HOSE FITTING	1	21		
3.103.0050	HIGH PRESSURE NOZZLE 1/8"M 15045 (C25045)	1	22	X	
7.700.0309	INSTRUCTION MANUAL	1	23		



E8621X071/01



# LISTA RICAMBI

**CODICE:** 8.621.0908      **REV.:** 1      **DESCRIZIONE:** IDRO HYPER L 2015LP T 400/50 C /GIUNTO

**DATA INIZIO VAL.:** 09/15/2008      **DATA FINE VAL.:** 01/01/3000

**CODICE GRUPPO:** R8621X071      **REV.:** 2      **DESCRIZIONE:** BOILER

**DATA INIZIO VAL.:** 02/22/2012      **DATA FINE VAL.:** 01/01/3000      **N. TAVOLA:** E8621X071/01

CODICE:	DESCRIZIONE:	QTA':	POS:	ORD	EXTR.
4.608.0191	BOARD FRAME NPX'04 BLACK	1	01		
4.608.0332	CONTROL PANEL LKX4-TEKNA FOR ELECTRONIC BOARD	1	02		
4.608.0164	THERMOSTAT KNOB	2	03		
5.611.0161	BLACK THERMOSTAT HANDLE WITH INSERT	1	04		
3.403.0091	THERMOSTAT 30-150	1	05		
3.105.0003	DETERGENT REGULATING COCK WITH RUBBER HOLDER D.7	1	06		
4.608.0168	ELECTRIC BOX NPX4/LKX4	1	07		
3.102.0005	FB15 GASOIL FILTER AK3012	1	08	X	
3.401.0177	SWITCH	1	09		X
3.414.0009	24V-50Hz BOBBIN FOR GAS-OIL DANFOSS PUMP	1	10		
3.402.0045	THERMIC RELE' DPER21 12-18A (T ELEM.)	1	11		
3.402.0050	CONTACTOR 5.5kw 400V	1	12		
3.403.0171	TOTAL STOP BOARD	1	13		
3.403.0172	ELECTRONIC BOARD	1	14		
3.107.0004	PRESS.GAUGE DIAM.50 0/250 1/4 REAR+CLAMP	1	15		
4.618.0003	GAUGE HOSE 2X630 MAX630BAR 1/4 F/GIR-1/4 F/GIR	1	16		
5.611.0192	COMPLETE BOILER FLANGE 1,50-45B (RILSAN)	1	25		
4.614.0004	STANDARDIZED ELECTRODES COUPLE WITH ROD	1	27		
3.100.0075	CONIC CONNECTION M 1/8 F D.4 CURVED FOR GASOIL HOSE VITON O-RING	1	28		
3.099.0015	RING SEEGER I D.21 SP1 DIN 472	1	29		
4.608.0002	SITE GLASS DIAM.20 SP.1,8	1	30		
4.605.0045	WROUGHT BURNER FLANGE	1	31		
3.104.0027	FUEL NOZZLE 1,50 45/B	1	32	X	
4.608.0210	INLET HOSE DIESEL RILSAN	1	34		
5.609.0126	TRANSFORMER	1	35		
5.609.0023	FAN PROTECTION CAGE ASSY	1	37		
5.613.0192	HOLDER BOARD/HANDLES NPX/LKX'04	1	39		
3.099.0028	LEFT FAN	1	42		
3.300.0003	BURNER MOTOR 100W/230/50HZ=C80 I.P.55	1	43		
3.099.X012	GAS OIL PUMP PLASTIC COUPLING 410050	1	44		
3.100.0075	CONIC CONNECTION M 1/8 F D.4 CURVED FOR GASOIL HOSE VITON O-RING	1	45		
3.551.0040	GAS.PUMP DOUBLE HOSES RX 24V 50-60/Hz	1	46		
3.004.0015	WASHER D.22X39 UNI 6592 ZNT	2	47		
4.606.0013	COIL FIXING NUT 1/2 BRASS SPE C.	2	48		
5.611.0067	TEKNA '95 GAS OIL FILTER UNIT	1	49		
4.618.0035	TUBE R1 PUMP/COIL TG480	1	50		
4.618.0043	HOSE	1	51		
3.099.0719	BAND TO FIXE BOILER COVER	1	53		
5.613.0200	EXTERNAL COVER FOR INOX BOILER (TEKNA4)	1	56		
5.610.0105	DEFLECTOR D.82	1	57		
5.613.0028	CHIMMEY COMB.CHAMB.INWARD COVE R L=120	1	58		
4.604.0003	LOW COIL H.415 (FE . 35.2)	1	59		
5.613.0276	BOILER PAINTED	1	60		
4.608.0116	REFRACTORY GROUND D.290X20 FOR BURNER	1	62		
4.607.0006	COIL FIXING STRIP PLATE 20/1 0	1	63		

# LISTA RICAMBI

**CODICE:** 8.621.0908      **REV.:** 1      **DESCRIZIONE:** IDRO HYPER L 2015LP T 400/50 C /GIUNTO

**DATA INIZIO VAL.:** 09/15/2008      **DATA FINE VAL.:** 01/01/3000

**CODICE GRUPPO:** R8621X071      **REV.:** 2      **DESCRIZIONE:** BOILER

**DATA INIZIO VAL.:** 02/22/2012      **DATA FINE VAL.:** 01/01/3000      **N. TAVOLA:** E8621X071/01

<b>CODICE:</b>	<b>DESCRIZIONE:</b>	<b>QTA':</b>	<b>POS:</b>	<b>ORD</b>	<b>EXTR.</b>
4.608.0162	L990 INSULATING ROPE FOR BOILER BASE	1	64		
5.613.0116	BOILER BASE	1	65		
3.704.0009	PRESSURE SWITCH PR5 25bar 1/4 L.750 F. 29008000	1	74		
3.004.0004	ALUMINIUM WASHER 21X30XSP 1,5	1	85		
5.609.0128	BULB THERMOSTAT SET	1	87		
4.606.0087	BULB ASSY	1	91		
3.100.0020	REDUCTION M.GAS/M.GAS 1/2-3/8	1	92		
5.613.0191	THERMOSTAT BULB AND HOSE REEL BRACKET 01	1	93		
4.606.0019	SUCTION CONNECTOR M22 IDRO COM PACT	1	94		
4.008.0031	INLET WATER FILTER H2O D.16 CONICAL	1	95	X	
4.006.0088	SUCTION ADAPTOR M.22 3/4 E SP.1	1	96		
4.618.0126	LOW PRESSURE HOSE L=400 INLET COIL W.C.MOTORP. 3/8 M	1	97		
3.100.0018	RAPID COUPLING 3/8 M. 08 (465 )	1	98		